



Global Solution

The Mk4 CloudBase NTRIP modem enables mobile RTK connection via 2G, 3G and 4G LTE cellular networks. The Mk4 features a WiFi web server enabling simple wireless configuration via a smart phone web browser. This modem has the ability to connect to all cellular bands in all countries whilst its sleek design hides away all antennae to avoid damage when manoeuvring in tight spaces.

Easy Installation

Installation is quick and simple to any RTK enabled receiver using one of the many hook-up cables and mounting brackets CloudBase can supply. Once fitted, the IP67 rated enclosure protects the valuable electronics, even in the most extreme environments.

Optimised Performance

Connection and authentication speeds have been optimised, making the Mk4 the fastest connecting NTRIP modem available, vastly outperforming OEM solutions, often connecting within 30 seconds, ensuring a fixed RTK solution, even in challenging locations.

Key Features

- Compatible with all commercial RTK enabled GNSS receivers
- WiFi Setup, no laptop required.
- Rugged IP67 rated housing
- Global connectivity
- Internal antennae to avoid damage in tight areas.
- 2FF SIM slot

Simple to set up, secure user interface

Use a smart phone to access the modem and configure NTRIP credentials. Simply search for 'CloudBase Modem' on WiFi and connect using the password. Once connected, access the UI using a web browser. Settings can be kept secure using a further user defined password in the UI and passwords are redacted.

Configure for any receiver, SIM card or NTRIP Caster

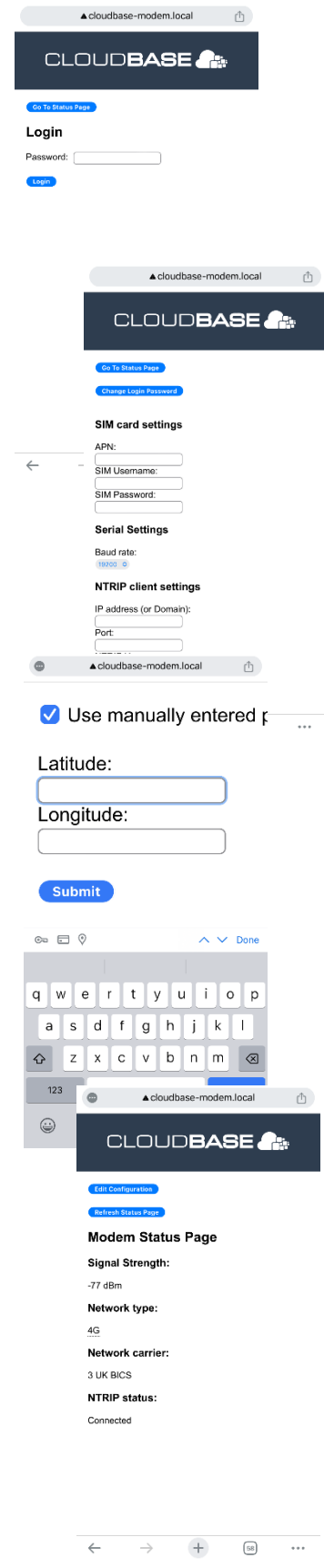
The step-by-step menu structure makes it easy to configure the settings for SIM card, receiver baud rate and NTRIP credentials. Baud rates cover all commercial GNSS receivers and IP addresses can be entered in IP or URL format.

Standalone functionality

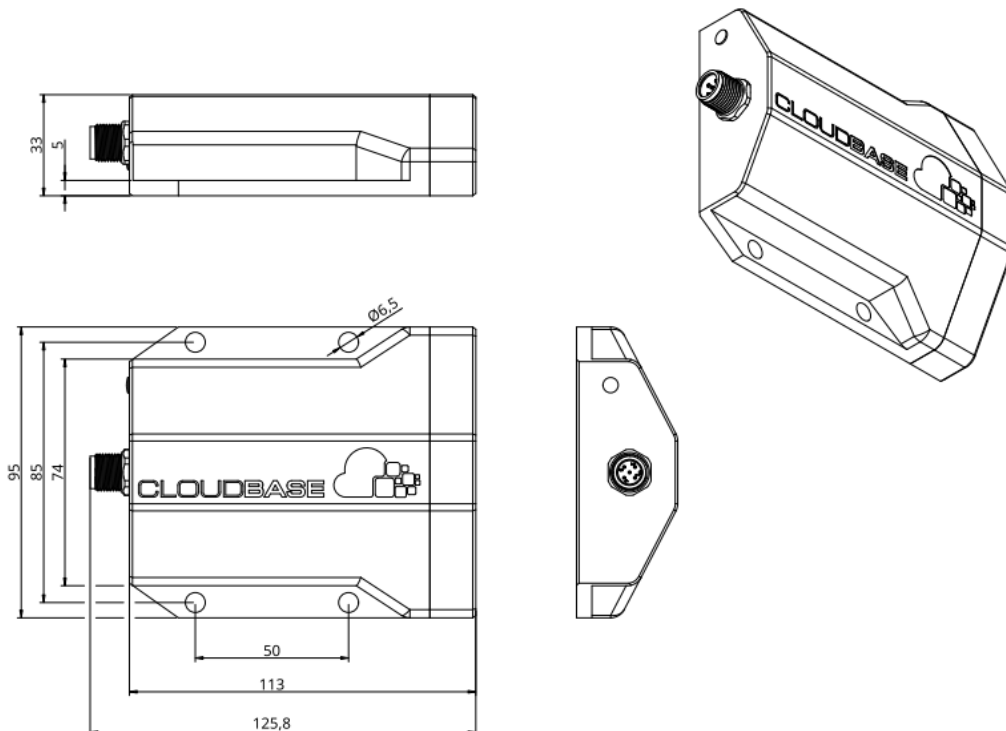
The CloudBase Mk4 modem allows users to set a manual latitude and longitude making it simple for engineers to bench test the settings without being connected to a receiver. Similarly, if a receiver does not support GGA output this function can be used to connect to network RTK NTRIP caster's

Intuitive status page

The status page can be viewed at any time, offering real-time diagnostic updates for signal strength, network carrier and connection status



CloudBase Mk4 NTRIP Modem



Frequency Bands

LTE-FDD: B1/ 2/ 3/ 4/ 5/ 7/ 8/ 12/ 13/ 18/ 19/
20/ 25/ 26/ 28

LTE-TDD: B38/ 39/ 40/ 41

WCDMA: B1/ 2/ 4/ 5/ 6/ 8/ 19

GSM: B2/ 3/ 5/ 8

Interfaces

Communication Port: 1 x Serial RS232

Serial Port Baud: 9600 / 19200 / 38400 /
115200 bps

Interface connector: 5 pin M12 'A' Key

SIM Form Factor: 2FF

Power

Operational Voltage: 9-30V

Power Consumption: 40mA Idle

NTRIP Specification

NTRIP Version: V1

Antenna

Dual internal antenna, Main and Diversity

Environmental

Operating Temperature: -40°C to +60°C

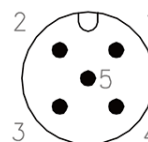
Waterproof rating: IP67

Physical

Dimensions: 195mm x 84mm x 38mm

Weight: 135 Grams

Interface Pin Definition



- Pin 1: Power +
- Pin 2: RS232 Gnd
- Pin 3: Power -
- Pin 4: RS232 TX (Output)
- Pin 5: RS232 RX (Input)

CloudBase Positioning Ltd
Unit C Falcon Court
Clayton-Le-Moors
BB5 5JD

CloudBase-RTK.net
sales@cloudbase-rtk.net